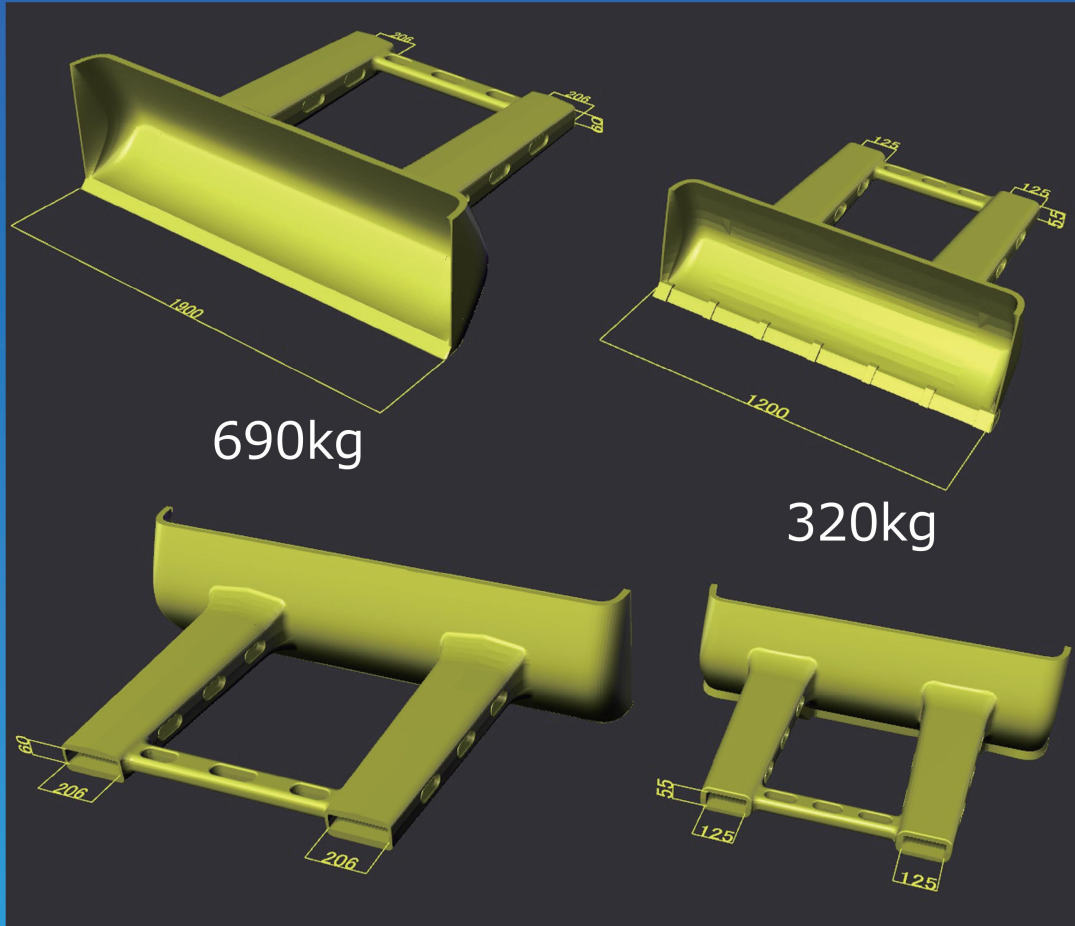


Two types of power blades

For ~ 5 tons blade

For ~ 2.5ton with spare blade



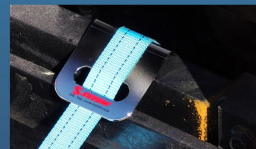
Video is here



Mounting method

Product installation is completed in 5 minutes

- ① Stab the nail of the fork into the blade
- ③ Pass the belt through the supplied protective bracket



- ② Pass the included ratchet belt through the blade
- ④ Fasten with a ratchet



Video is here

